

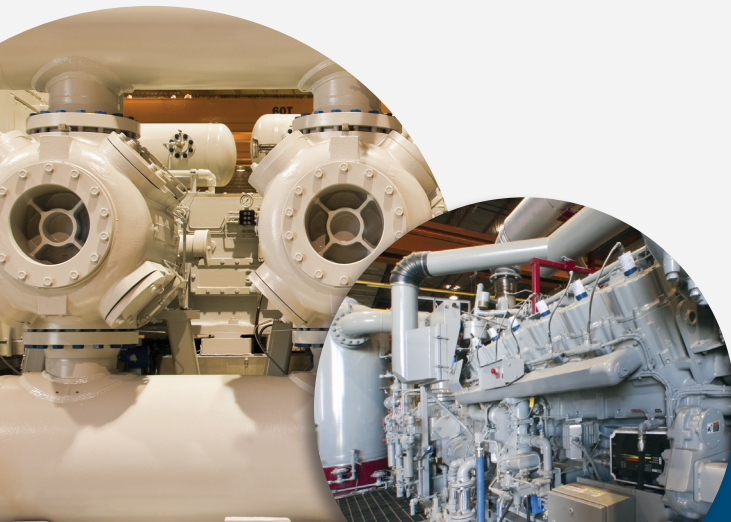
MODEL 2012E LUBRICATOR PUMPS

PRODUCT DESCRIPTION

CPI designs and manufactures a wide range of high quality lubricator pumps to accommodate any lubricator box. Consult CPI for the right pump for your application.

FEATURES

- CE / ATEX Certified
- Heavy duty casting
- Double ball discharge connector
- Modular cast iron cylinder assembly
- Suction tube with strainer
- Direct replacements for Coulthard Model B Lubricator Pumps



 **CPI** COMPRESSOR
PRODUCTS INTL
an EnPro Industries company

Proven Solutions for the Global Compression Industry™

TECHNICAL SPECIFICATIONS

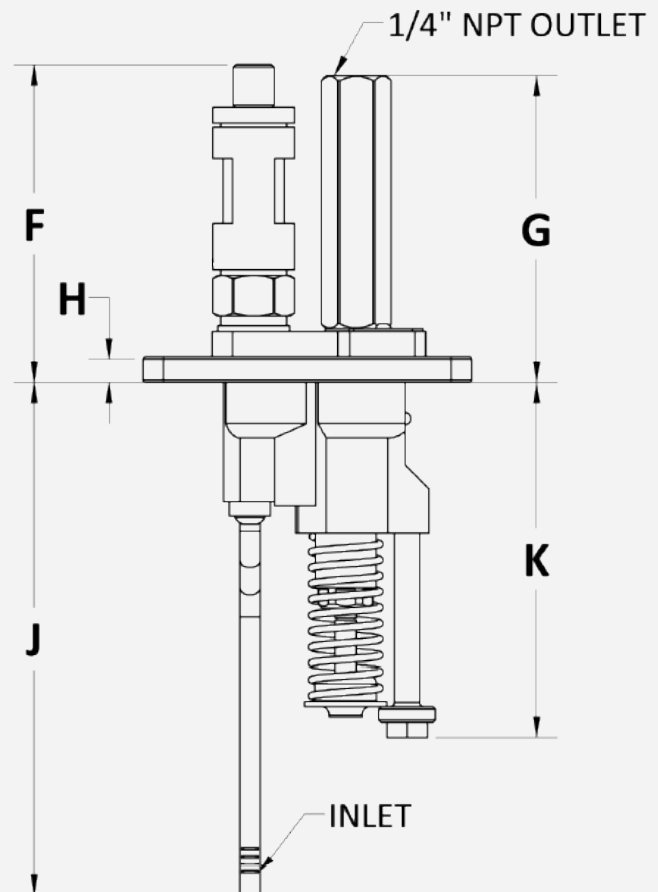
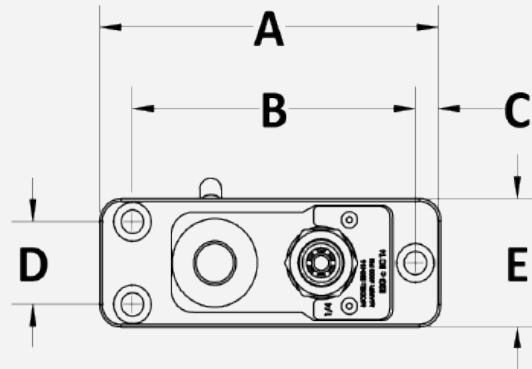
LUBRICANT TYPE	Petroleum Based or Synthetic
OIL VISCOSITY	90 SUS - 8,000 SUS
TEMPERATURE	-20°F to 190°F (-29°C to 68°C)
INLET (VACUUM)	Built-In Suction Tube
OUTLET	1/4" NPT Female

DIMENSION	INCHES	MM.
A	4.00	101.6
B	3.32	84.3
C	0.30	7.6
D	0.94	23.9
E	1.45	36.8
F	3.73	94.7
G	3.90	99.1
H	0.31	7.9
J	6.25	158.8
K	4.32	109.7

STANDARD PUMPS

Vacuum

PART NO.	SIZE	MAX. PRESSURE
6500100000ES0316	3/16"	7,500 PSI - 517 bar
6500100000ES0416	1/4"	6,000 PSI - 413 bar
6500100000ES0616	3/8"	3,500 PSI - 241 bar



Proven Solutions for the Global Compression Industry™

CPI provides industry leading lubrication system products and services, partnering with our customers to develop individual solutions to their unique lubrication needs. From individual components to complete, turnkey systems, we can provide the resources and expertise to ensure your compressor operates at peak performance and longevity.